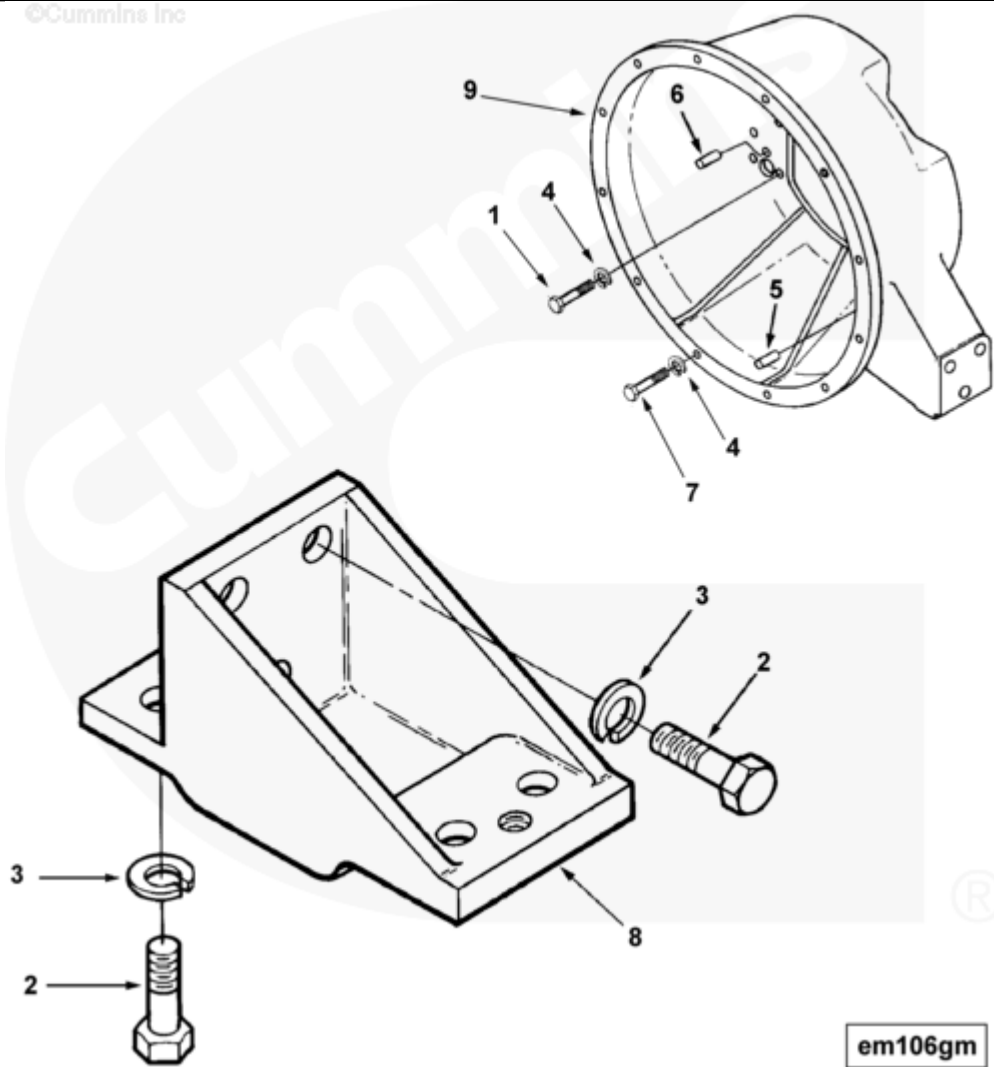




Parts Catalog - Option Detail

| Electronic Parts Catalog - Option Detail | | | | |
|--|--|---------|-----------|-----------|
| Option | Group | Graphic | Film Card | Date |
| EM1345 | 16.03 | em106gm | FF | 27-AUG-99 |
| Engines | G855, G855 CM558, GTA855 CM558 (CM2358) G101, N14 CELECT, N14 CELECT PLUS, N14 MECHANICAL, NH/NT 855, QSM11 CM876 M101, QSM11 CM876 M102M, QSN14 CM876 N103, QSN14 CM876 N105, QSNT14 CM876 N102 | | | |



em106gm

[SMALL](#) | [MEDIUM](#) | [LARGE](#)

| Cart | Ref No | Part Number | Part Description | Required | Remarks |
|------------------------------|--------|------------------------|----------------------|----------|--------------------------|
| View My Cart | | | | | |
| | | EM1345 | Front Engine Support | | |
| | | | | | Combination front engine |

| | | | | | |
|--------------------------|---|-------------------------|------------------------|----|-------------------------------|
| | | | | | support and bell- housing for |
| | | | | | over running clutch type |
| | | | | | front |
| | | | | | Power take-off. |
| | | | | | Does not include an adapter |
| | | | | | for clutch. |
| | | | | | Includes marine mounting feet |
| | | | | | with mounting surface located |
| | | | | | 9.51inches (241.4mm) below |
| | | | | | crank centerline. |
| <input type="checkbox"/> | 1 | S 116 C | Hexagon Head Cap Screw | 11 | 7/16 - 20 x 3 1/2 inch |
| <input type="checkbox"/> | 2 | S 127 C | Hexagon Head Cap Screw | 10 | 5/8 - 11 X 1 3/4 Inch. |
| <input type="checkbox"/> | 3 | S 603 | Lock Washer | 10 | 5/8 in. |
| <input type="checkbox"/> | 4 | S 610 | Lock Washer | 13 | 7/16 in. |
| <input type="checkbox"/> | 5 | 60408 | Pin Dowel | 1 | |
| <input type="checkbox"/> | 6 | 70653 | Diamond Dowel | 1 | |
| <input type="checkbox"/> | 7 | 103023 | Hexagon Head Cap Screw | 2 | 7/16 - 14 X 1 in. |
| <input type="checkbox"/> | 8 | 3010348 | Engine Support | 2 | |
| <input type="checkbox"/> | 9 | 3010372 | Power Take-Off Housing | 1 | |